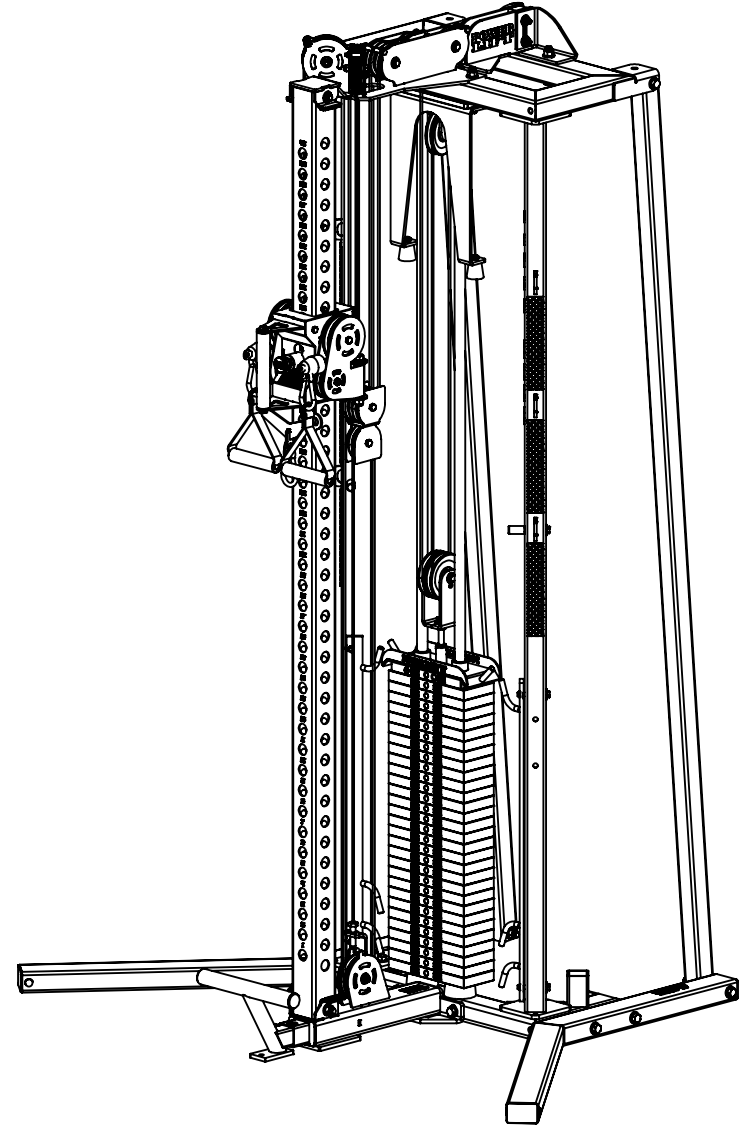


THE INFORMATION CONTAINED IN THIS DRAWING IS THE SOLE PROPERTY OF POWER LIFT ANY REPRODUCTION IN PART OR WHOLE WITHOUT THE WRITTEN PERMISSION OF POWER LIFT IS PROHIBITED

REV.	DESCRIPTION	DATE	APPROVED
A	INITIAL RELEASE	5/18/2026	MK

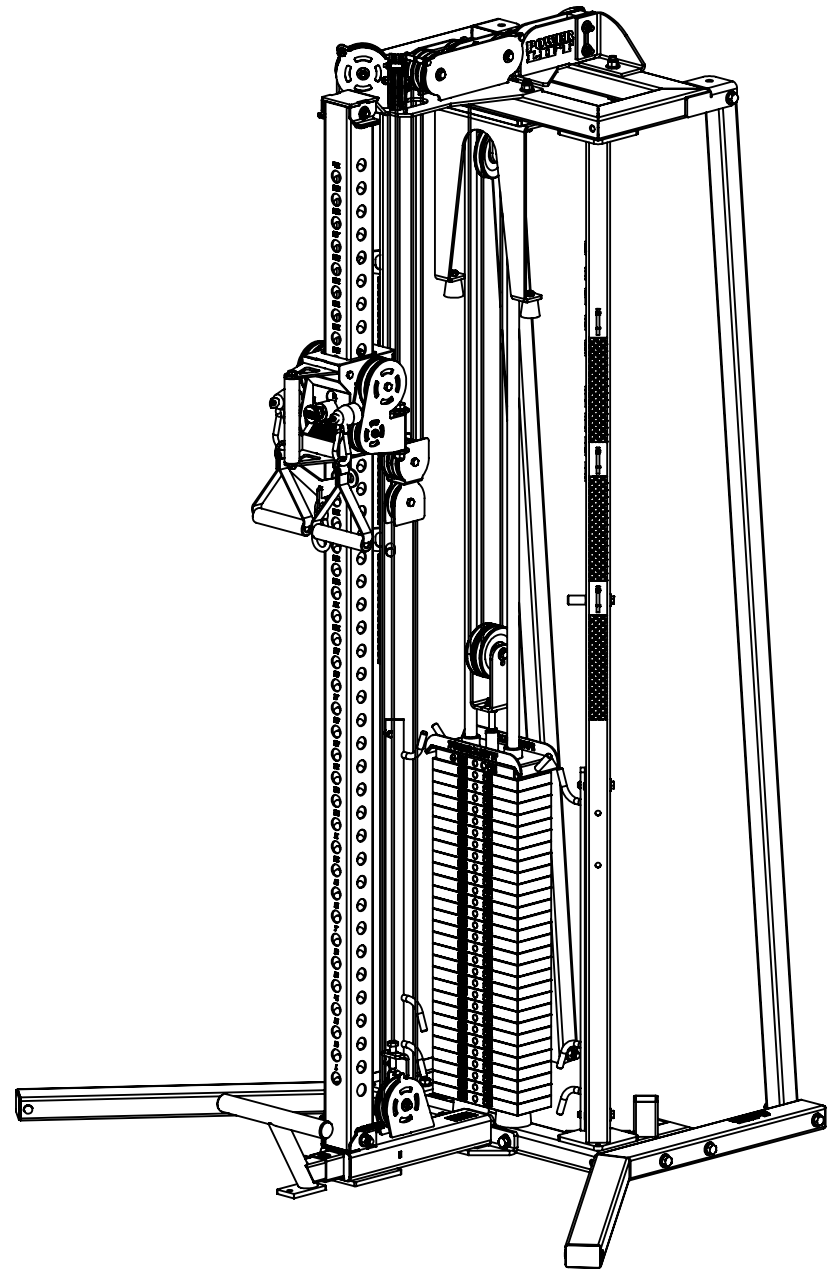
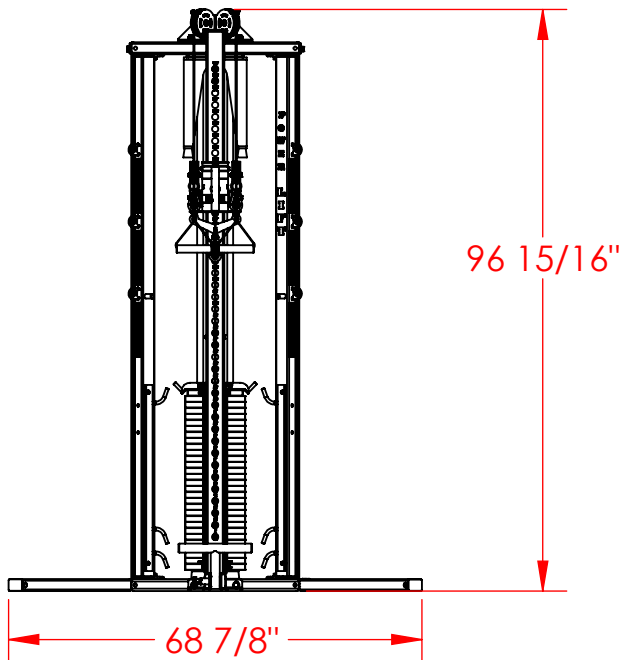
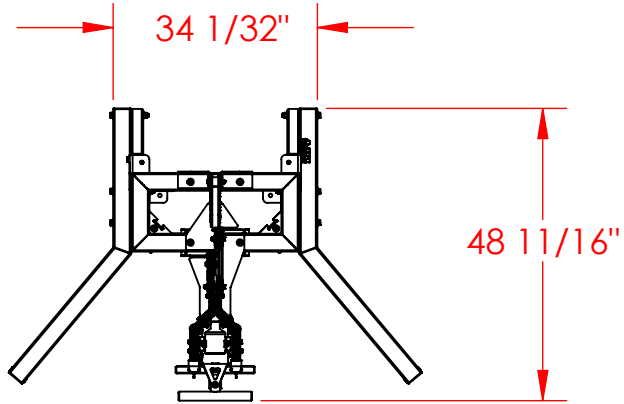
ITEM NO.	QTY.	PART NO.	PART NAME
1	2	63523	WLDT, BASE, FREE STANDING
2	2	63529	WLDT, REAR SUPPORT
3	2	63327	WLDT, UPRIGHT, PULLEY MACHINE W/ LOOPS
4	28	99585	WASHER, FLAT, .5, SAE, ZINC
5	1	63976	WLDT, BASE, FREE STANDING, LOWER, T BAR
6	1	63547	WLDT, BASE, FREE STANDING, TOP
7	14	99620	NUT, .5-13, LOCK, NYLON INSERT
8	4	99648	BOLT, HHCS, .5-13X3.25, GR5, ZINC
9	2	99640	BUMPER, ROUND, WEIGHT STACK
10	2	63047	SHAFT, 1X89-1/16 CHROME, PULLEY MACHINE
11	1	99646	300LB. WEIGHT STACK 10 LB. INCR.
12	1	63628	PLATE, WEIGHT STACK, RETAINER
13	1	63525	FORMED, FREE STANDING MOUNT, RIGHT
14	1	63526	FORMED, FREE STANDING MOUNT, LEFT
15	4	99523	BOLT, HHCS, .5-13X7, GR5, ZINC
16	4	99880	BOLT, HHCS, .375-16X2.75, GR5, ZINC
17	4	99540	NUT, .375-16, LOCK, NYLON INSERT
18	10	99531	WASHER, FLAT, .375, USS
19	2	63116	PIN, WEIGHT STORAGE, 5 LBS
20	2	99623	BOLT, HHCS, .375-16X2.5, GR5, ZINC
21	4	99522	BOLT, HHCS, .5-13X1.75, GR5, ZINC
22	4	99416	PLUG, BLACK PLASTIC, 9/16" HOLE
23	2	99813	BOLT, HHCS, .5-13X6, GR5, ZINC
24	1	99071	DECAL, MINI STACKED
25	1	80533	LABEL, SELECTORIZED POWER LIFT VERTICAL
26	6	19791	XTRAX, PULLEY UPRIGHT GUARD, 1.5"X9"
27	1	58094A	ASSY, ADJ CABLE COLUMN 3X3, MODULAR, 300, 96, W/ T BAR
28	1	10301	SERIAL NUMBER, UNIVERSAL



<p>UNLESS OTHERWISE SPECIFIED DIMENSIONS ARE IN INCHES TOLERANCES ARE: FRACTIONS DECIMALS ANGLES ±1/16" .XX=±.02 ±1° .XXX=±.005</p>	POWER LIFT®	
	<p>REFERENCE CODE FSACC-33</p>	<p>PART NUMBER 58148A</p> <p>PART NAME ASSY, 3X3 CABLE COLUMN, FREE STANDING, 300, 96, W/ T BAR, W/BA</p>
<p>CAD GENERATED DRAWING DO NOT MANUALLY UPDATE.</p>		<p>SHEET 1 OF 5 REV. C SCALE 1:32 SIZE A</p>

THE INFORMATION CONTAINED IN THIS DRAWING IS THE SOLE PROPERTY OF POWER LIFT ANY REPRODUCTION IN PART OR WHOLE WITHOUT THE WRITTEN PERMISSION OF POWER LIFT IS PROHIBITED

HEIGHT - 96 15/16"
DEPTH - 48 11/16"
WIDTH - 68 7/8"
APPROX. WEIGHT - 660.LBS



UNLESS OTHERWISE SPECIFIED
 DIMENSIONS ARE IN INCHES
 TOLERANCES ARE:
 FRACTIONS DECIMALS ANGLES
 ±1/16" .XX=±.02 ±1°
 .XXX=±.005

REFERENCE CODE

FSACC-33

POWER LIFT®

PART NUMBER
58148A

PART NAME
**ASSY, 3X3 CABLE COLUMN, FREE
 STANDING, 300, 96, W/ T BAR, W/BA**

CAD GENERATED DRAWING
 DO NOT MANUALLY UPDATE.

SHEET 2 OF 5 REV. C

SCALE 1:32 SIZE A