

## Cable Routing Instructions

### Notes:

- Leave pulleys in place, and only remove as needed for each routing step.
- Pull cable through machine as you route the cable. Be very careful not to kink the cable during the routing, as this will shorten cable life.

### Tools Required:

- 6' Ladder
- Needle Nose Pliers
- Two 9/16" Wrenches
- Two 7/16" Wrenches
- Two 3/4" Wrenches

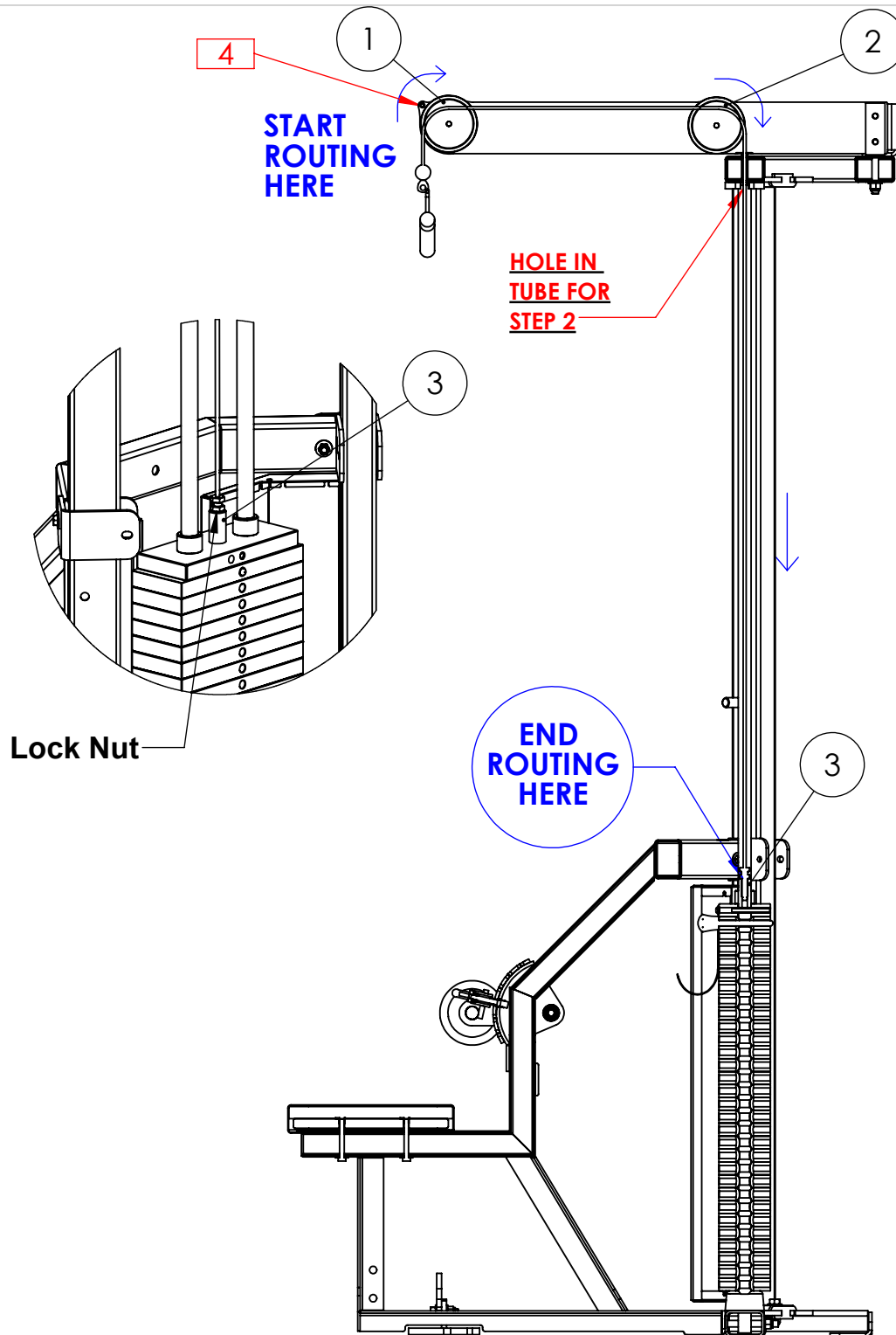
1.) Remove bolt 4 using two 7/16" wrenches, and pull cable over pulleys 1 & 2. Then replace bolt 4.

2.) Once cable is over pulley 2, make sure cable is routed through hole in tube.

3.) Recheck all pulleys to make sure cable is sitting in groove of pulley.

4.) Attach cable stud to item 3. Tighten bolt using two 3/4" wrenches so there is no slack in cable. Then tighten lock nut onto stem.

5.) Attach handle to pulley and operate unit to make sure it pulls smoothly. **(Note: If rough, recheck pulleys to make sure cable is in groove.)**



**POWER LIFT**®

PART NUMBER

**63438B Cable Routing**

THE INFORMATION CONTAINED IN THIS DRAWING IS THE SOLE PROPERTY OF POWER LIFT ANY REPRODUCTION IN PART OR WHOLE WITHOUT THE WRITTEN PERMISSION OF POWER LIFT IS PROHIBITED

REV.

A

Date

6/20/19