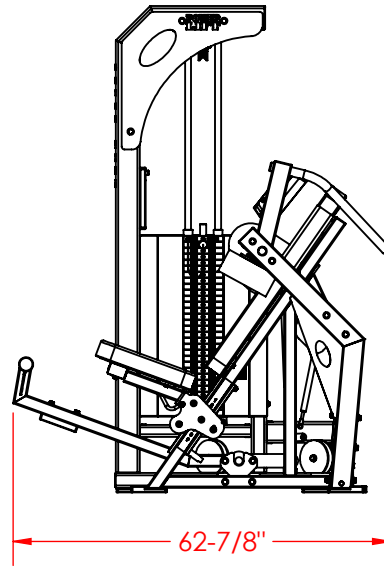
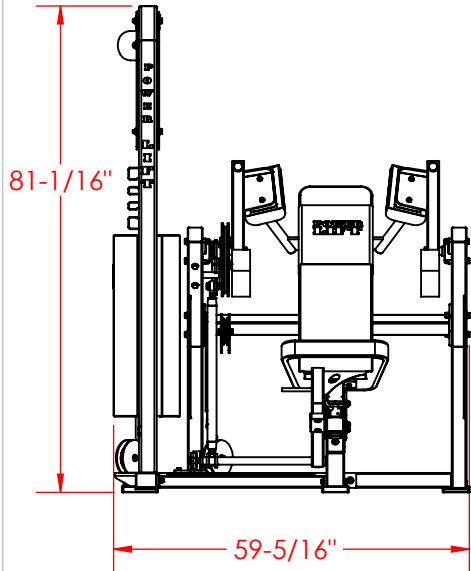
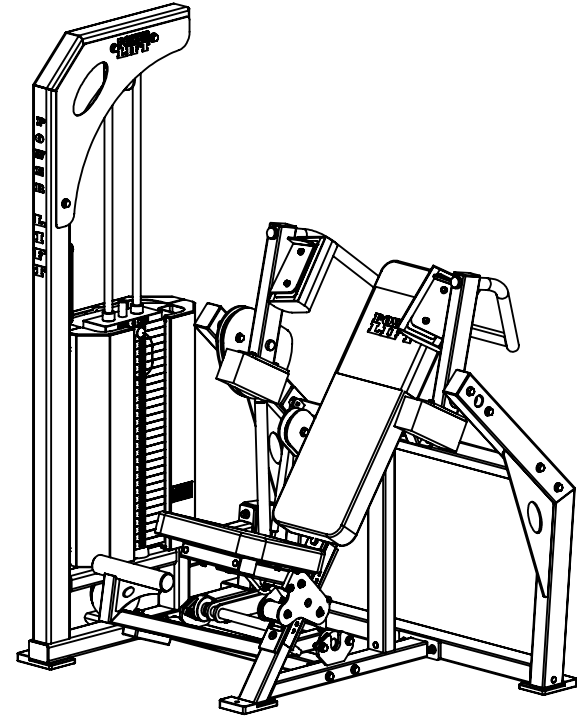
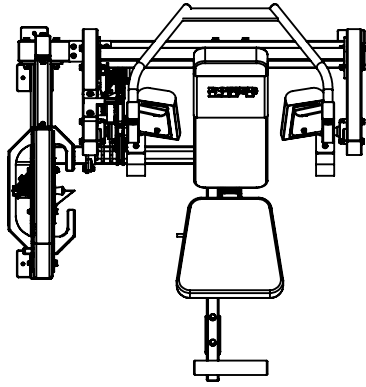


THE INFORMATION CONTAINED IN THIS DRAWING IS THE SOLE PROPERTY OF POWER LIFT ANY REPRODUCTION IN PART OR WHOLE WITHOUT THE WRITTEN PERMISSION OF POWER LIFT IS PROHIBITED



UNLESS OTHERWISE SPECIFIED DIMENSIONS ARE IN INCHES TOLERANCES ARE: FRACTIONS DECIMALS ANGLES ±1/16" .XX=±.02 ±1° .XXX=±.005		POWER LIFT®	
PART NUMBER		81722A	
PART NAME		ASSY, PULL OVER	
MAT'L CODE		CAD GENERATED DRAWING DO NOT MANUALLY UPDATE.	SHEET 4 OF 4
MAT'L DESCR.		SCALE 1:32	REV.
MAT'L SPEC.		SIZE	A